



Metal we fabricate.
Performance you can rely on.



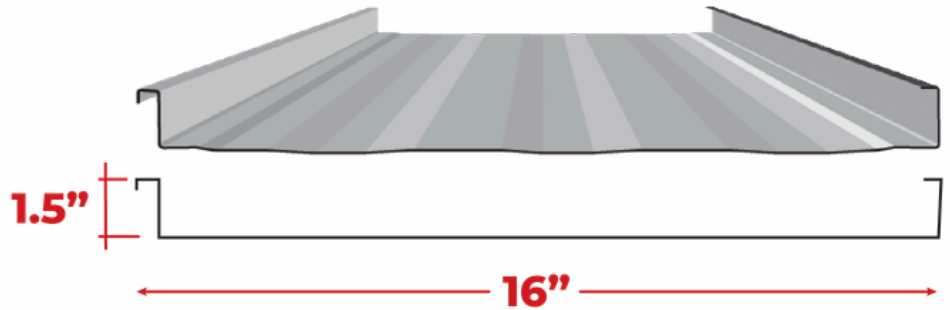
CERTIFICATIONS & COMPLIANCE

Metal Productions roofing systems are manufactured in compliance with third-party certification standards and applicable building codes, including Florida Product Approval and HVHZ requirements.



MURICA 150MS

1 1/2" MECHANICAL **STANDING SEAM** PANEL



PRODUCT PROFILE

- Mechanical seam roofing system (90° or 180° clip seam)
- 1-1/2" rib height
- 16" panel coverage
- Available in steel (24ga), aluminum (.032), and copper (16oz)
- Minimum roof slope: 1:12
- Options: Curve-capable; Striations; Weathertight warranty eligible
- Compatible with plywood and metal decking
- Florida Product Approved (FPA), HVHZ, and TDI
- UL Listed

WHY CHOOSE MURICA 150MS?

The Murica 150MS is designed for projects where performance, durability, and precision matter most. Its mechanical seam system delivers proven strength under demanding conditions, making it a trusted solution for high-performance metal roofing applications.



info@metalproductionsinc.com



855-4-U.S.-METAL